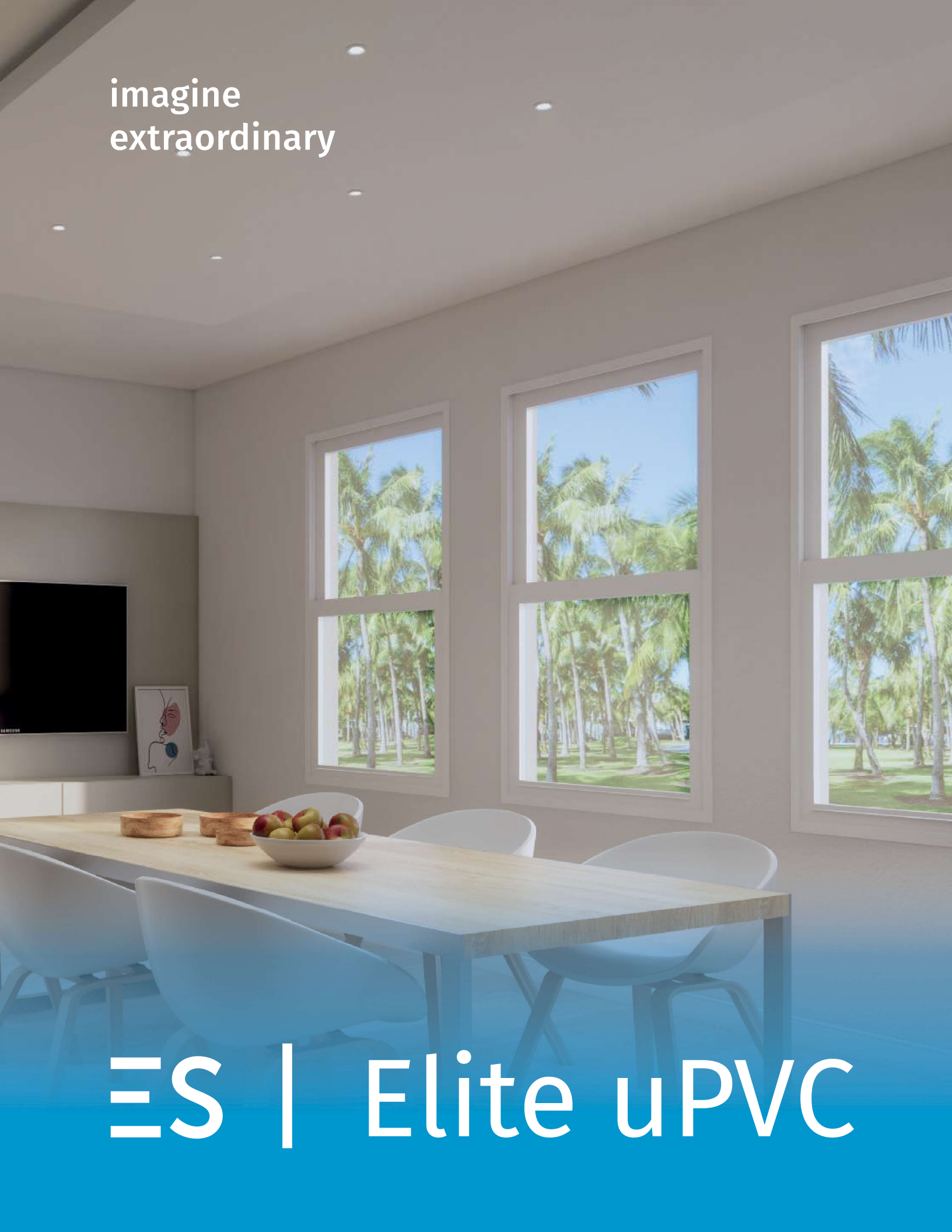


imagine
extraordinary



ES | Elite uPVC



Our new uPVC line is designed to enhance the aesthetic appeal, energy efficiency, sound insulation and security of your spaces. Discover the perfect combination of style and functionality with our state-of-the-art products.

Features:

- Energy Efficiency
- Low Maintenance
- Durability and Longevity
- Sound Insulation
- Extended Warranty
- Safety
- Large Missile Impact Rating Capabilities

Windows

ES-V100 Single-Hung Window

ES-V150 Fixed Window

ES-V200 Horizontal Roller Window

ES-V500 Casement Window

ES-V550 Awning Window

ES-V76Plus Tilt & Turn Window

ES-V76 Plus Fixed Window

Doors

ES-V400 Sliding Glass Door

Series

ES-V76 Plus Swing Door

ES-V88 Lift & Slide Door



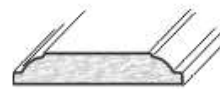
ES-V100

Single-Hung Window



Features

- Glass options:
 - 7/16" laminated glass
 - 1" insulating glass
 - 1" insulating laminated glass
- FBC Test: FL 42159
- Screen options available
- Mullion options available
- Aluminum reinforced including on jamb screw-through
- Standard colors available
- Muntin:



0.875" WIDE x 0.125" TALL

System Description

Minimum panel size	18 1/8" W x 25" H
Maximum panel size	53" W x 76" H
Frame depth	3 1/4"
Sightline	2 7/32" flush frame
	2 23/32" flange frame

Water infiltration



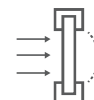
10.50 PSF.

Air infiltration



1.57 PSF.

Design load



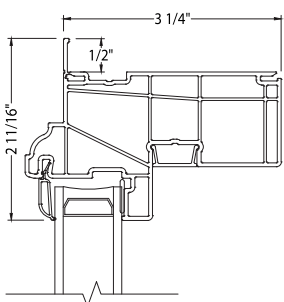
+60/-60 PSF.

ES-V100

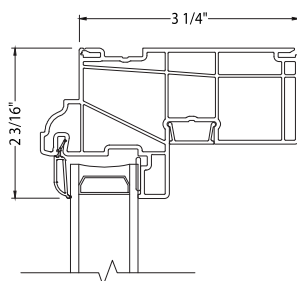
Single-Hung Window



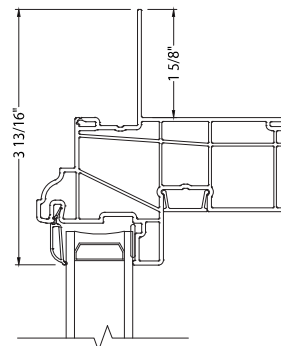
Configurations ES-V100



Flange Frame

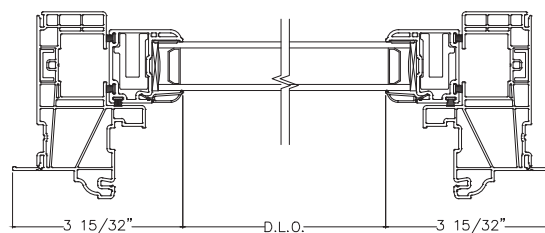
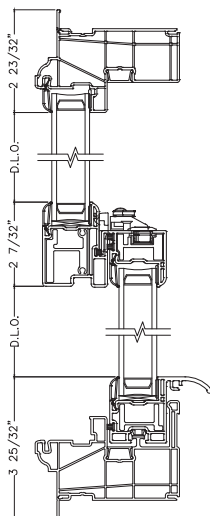
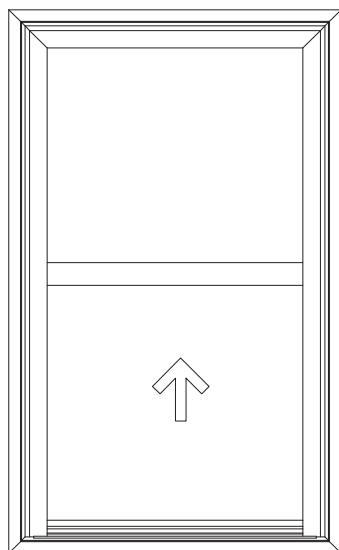


Flush Frame



Fin Frame

Details ES-V100



ES-V150

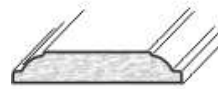
Fixed Window



Features

- Glass options:
 - 7/16" laminated glass
 - 1" insulating glass
 - 1" insulating laminated glass
- FBC Test: FL 42155
- Mullion options available
- Aluminum reinforced
- Standard colors available

Muntins



0.875" W x 0.125" H

Shapes available



System Description

Minimum panel size 18 1/8" W x 25" H

Maximum panel size 59" W x 47" H

35" W x 77" H

Frame depth 3 1/4"

Sightline 2 7/32" flush frame

2 23/32" flange frame

Water infiltration



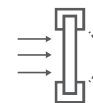
12 PSF.

Air infiltration



1.57 PSF.

Design load



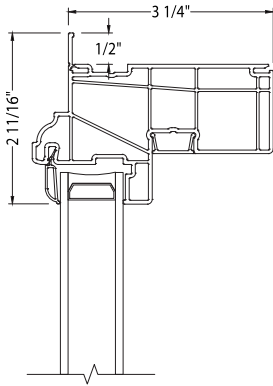
+80/-80 PSF.

ES-V150

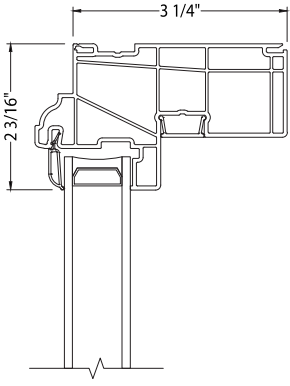


Fixed Window

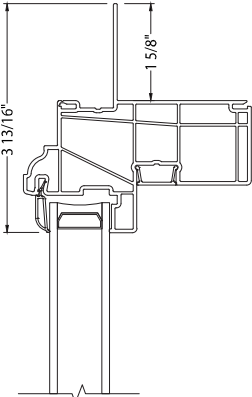
Configurations ES-V150



Flange Frame

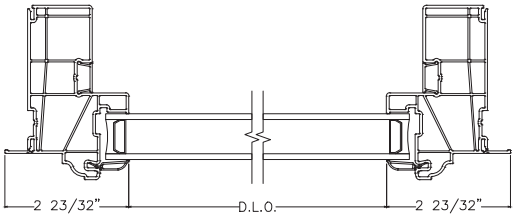
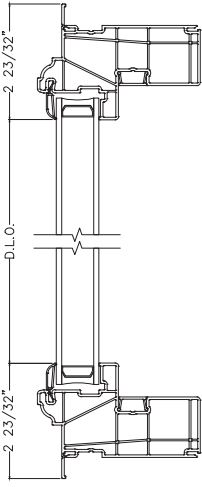
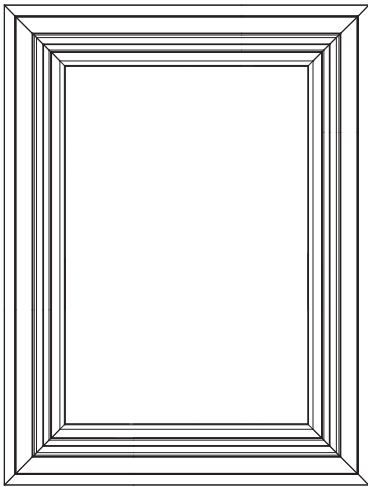


Flush Frame



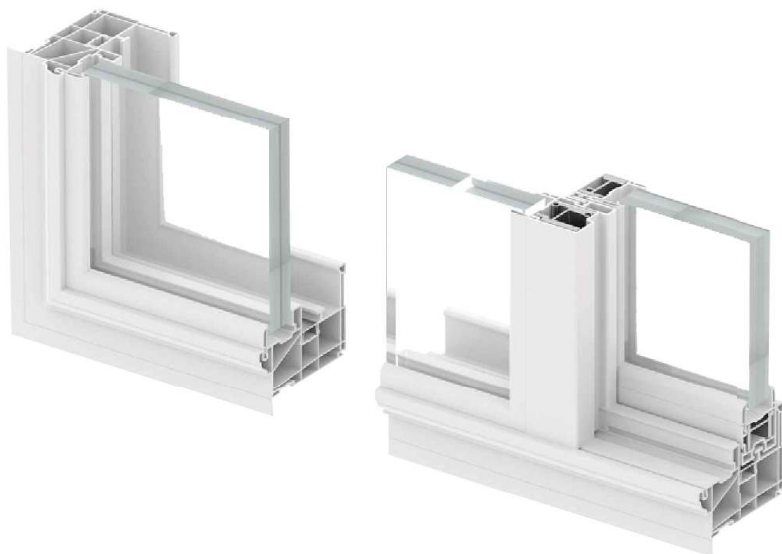
Fin Frame

Details ES-V150



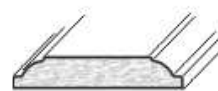
ES-V200

Horizontal Roller Window



Features

- Glass options:
 - 7/16" laminated glass
 - 1" insulating glass
 - 1" insulating laminated glass
- FBC Test: FL 42158
- Screen options available
- Mullion options available
- Aluminum reinforced
- Standard colors available
- Muntin:



0.875" WIDE x 0.125" TALL

System Description

Configuration	OX, XO, XOX (1/3, 1/3, 1/3), XOX (1/4, 1/2, 1/4)
Minimum panel size	25 1/2" W x 25" H
Maximum panel size	73" W x 59" H
Frame depth	3 13/16"
Sightline	2 7/32"

Water infiltration



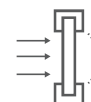
10.50 PSF.

Air infiltration



1.6 PSF.

Design load



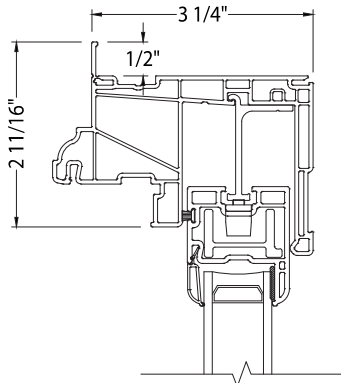
+60/-60 PSF.

ES-V200

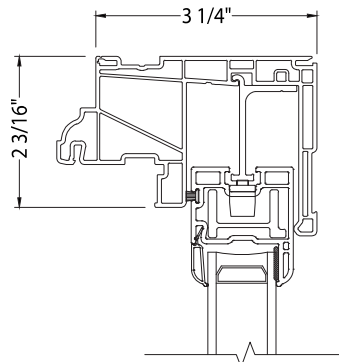
Horizontal Roller Window



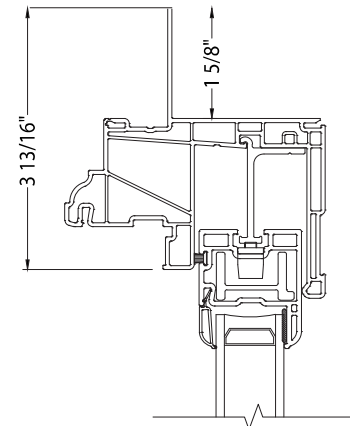
Configurations ES-V200



Flange Frame

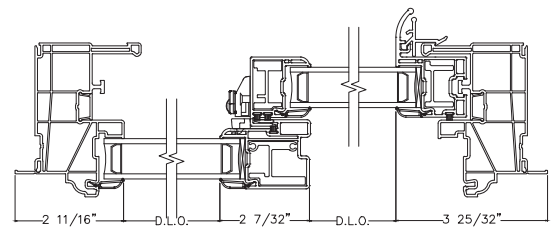
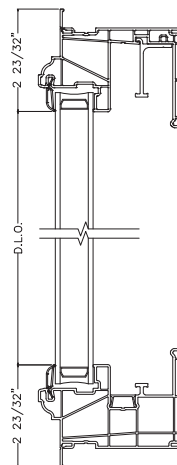
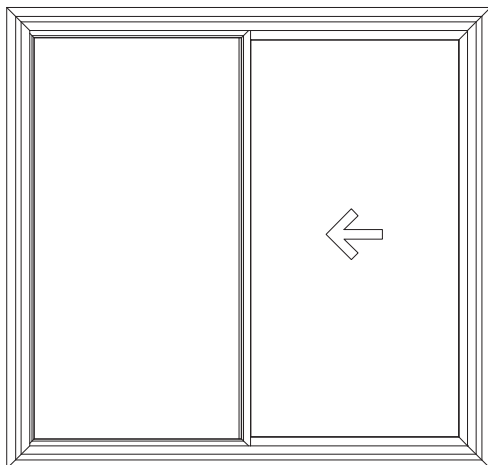


Flush Frame



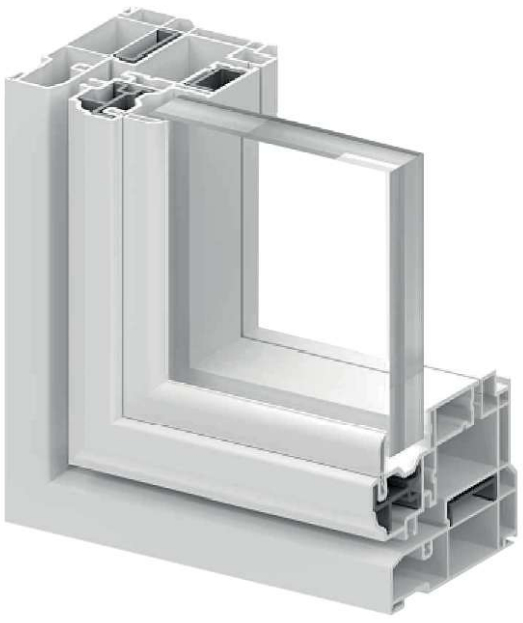
Fin Frame

Details ES-V200



ES-V500

Casement Window



Features

- Glass options:
 - 7/16" laminated glass
 - 1" insulating glass
 - 1" insulating laminated glass
- FBC Test: FL 42156
- Screen options available
- Mullion options available
- Aluminum reinforced
- Standard colors available
- Muntin:



0.875" WIDE x 0.125" TALL

System Description

Minimum panel size	18 1/8" W x 25" H
Maximum panel size	29" W x 83" H
	41" W x 62" H
Frame depth	3 1/4"
Sightline	2 3/4" flush frame
	3 1/4" flange frame

Water infiltration



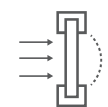
10.50 PSF.

Air infiltration



1.57 PSF.

Design load



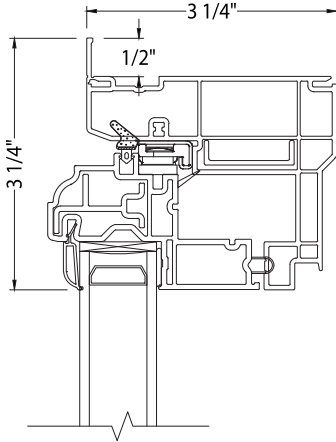
+60/-60 PSF.

ES-V500

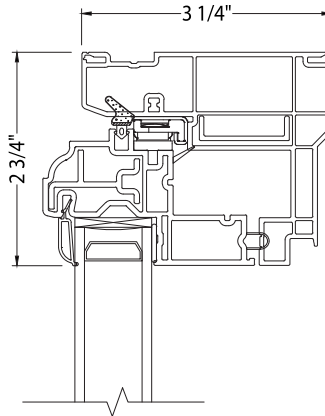
Casement Window



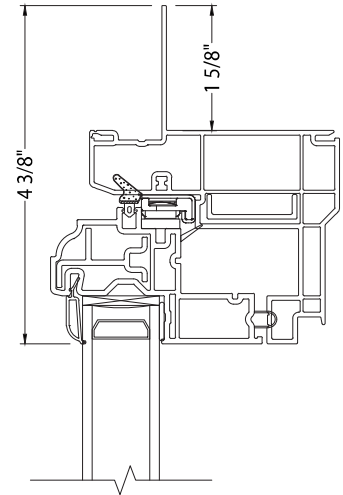
Configurations ES-V500



Flange Frame

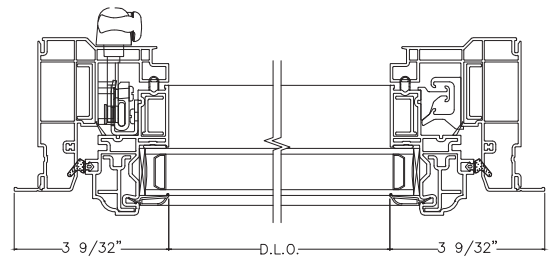
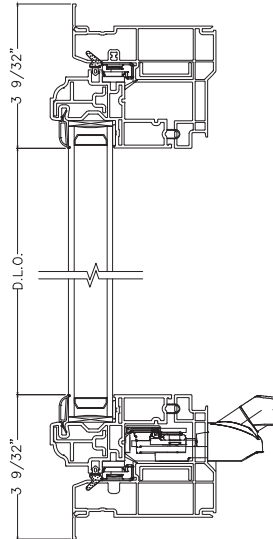
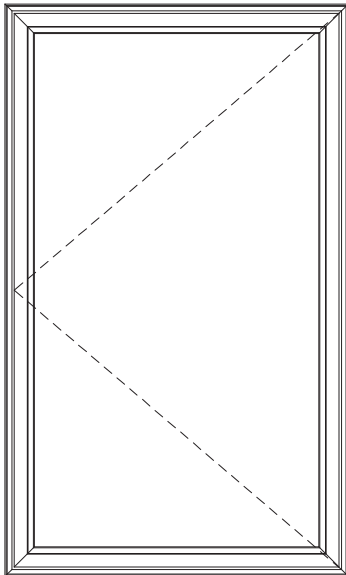


Flush Frame



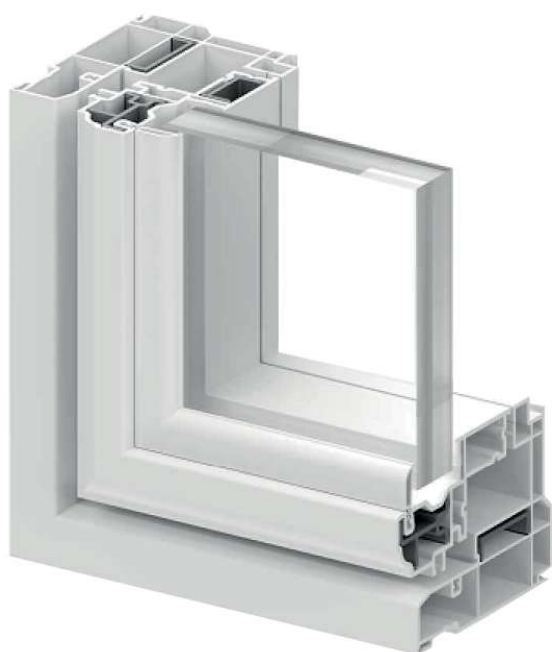
Fin Frame

Details ES-V500



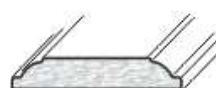
ES-V550

Awning Window



Features

- Glass options:
 - 7/16" laminated glass
 - 1" insulating glass
 - 1" insulating laminated glass
- FBC Test: FL 42157
- Screen options available
- Mullion options available
- Aluminum reinforced
- Standard colors available
- Muntin:



0.875" WIDE x 0.125" TALL

System Description

Minimum panel size	17" W x 17" H
Maximum panel size	52 1/8" W x 38" H
Frame depth	3 1/4"
Sightline	2 3/4" flush frame
	3 1/4" flange frame

Water infiltration



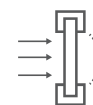
9.0 PSF.

Air infiltration



1.57 PSF.

Design load



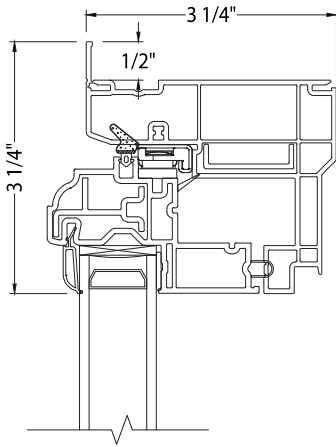
+60/-60 PSF.

ES-V550

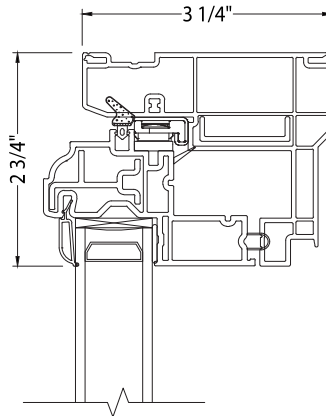


Awning Window

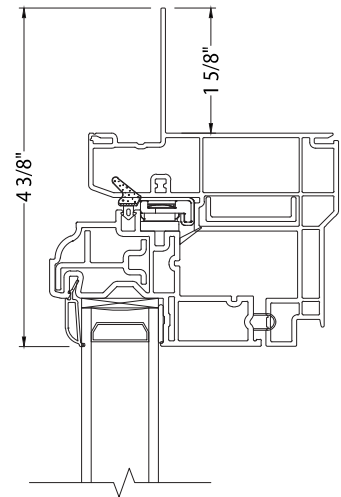
Configurations ES-V550



Flange Frame

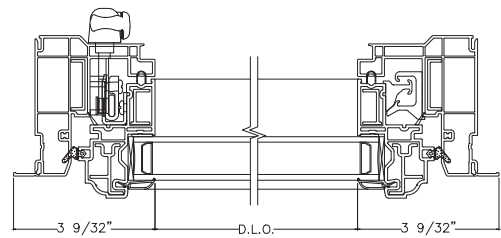
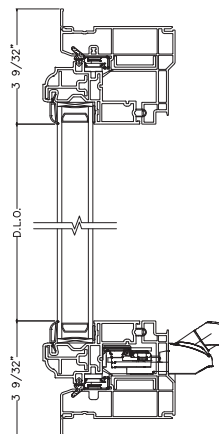
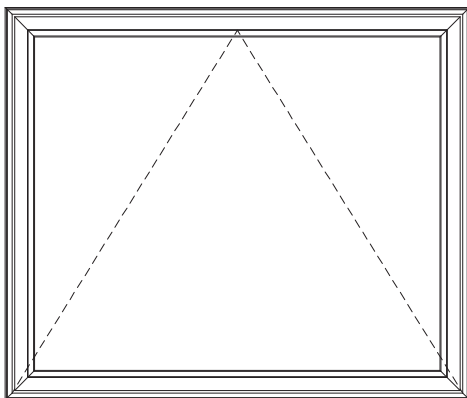


Flush Frame



Fin Frame

Details ES-V550



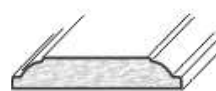
ES-V400

Sliding Glass Door



Features

- Glass options:
 - 1 3/16" insulating laminated glass
 - 1" insulating laminated glass
 - 1 1/32" insulating laminated glass
- FBC Test: FL 44037.1
- Screen options available
- Mullion options available
- Standard colors available
- Muntin:



0.875" WIDE x 0.125" TALL

System Description

Configuration	OX, XO, OXO, OXXO
Maximum panel size	96" W x 96" H (OX/XO)
	144" W x 96" H (OXO)
	192" W x 96" H (OXXO)
Frame depth	4 9/16"
Sightline	5 7/16"
Interlock	4 1/16"

Water infiltration



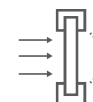
7.52 PSF.

Air infiltration



1.6 PSF.

Design load



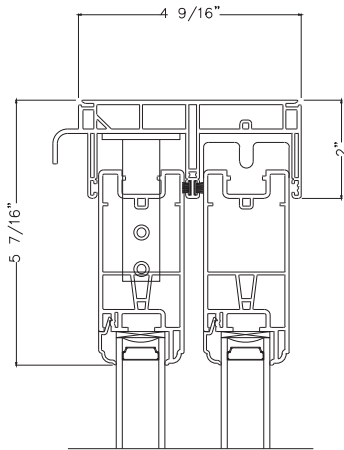
+50/-50 PSF.

ES-V400

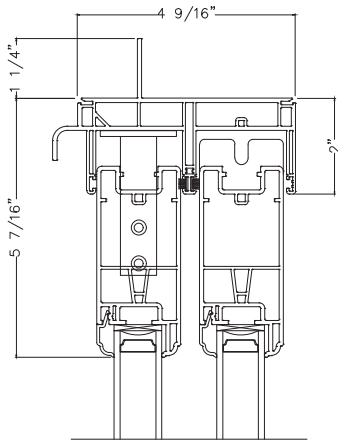
Sliding Glass Door



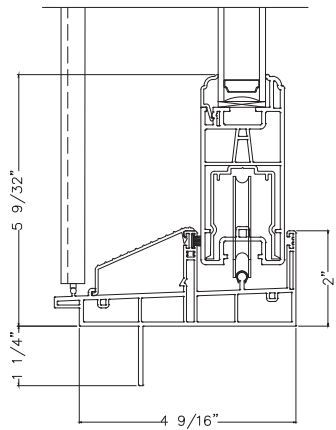
Configurations ES-V400



Flush Frame

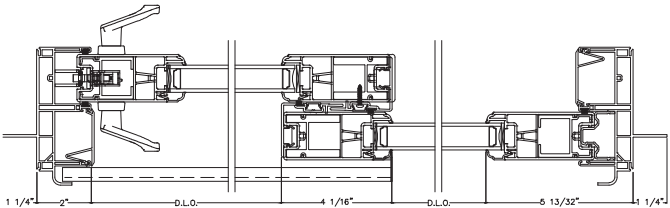
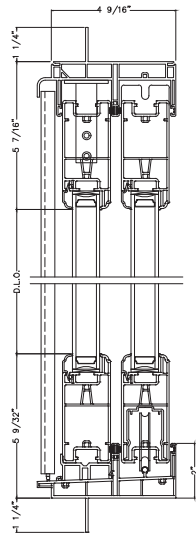
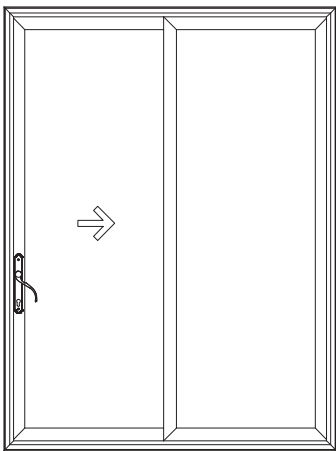


Fin Frame



Sill

ES-V400 (XO, OX Configuration)

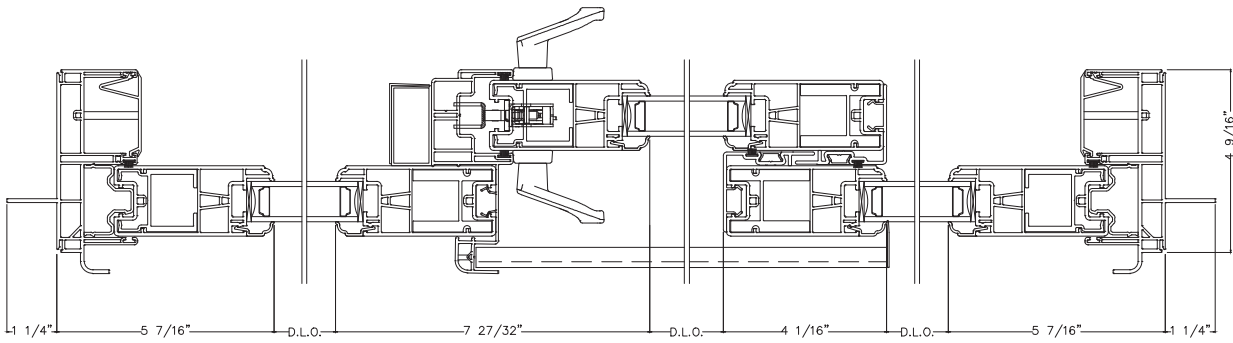
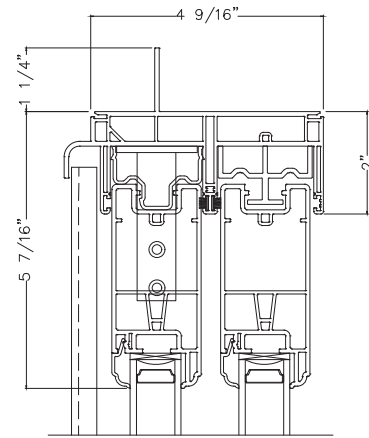
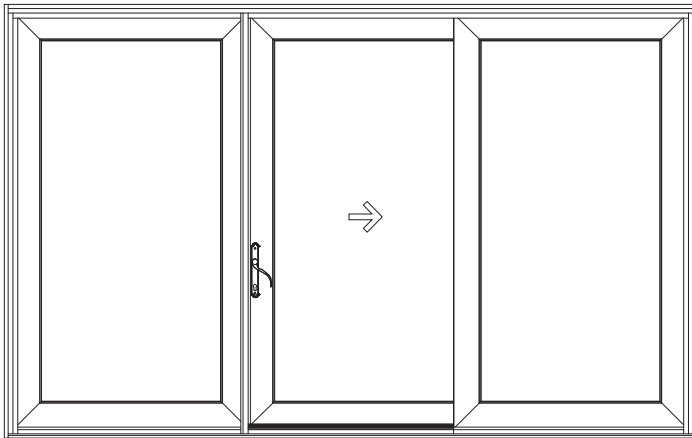


ES-V400

Sliding Glass Door



ES-V400 (OXO Configuration)

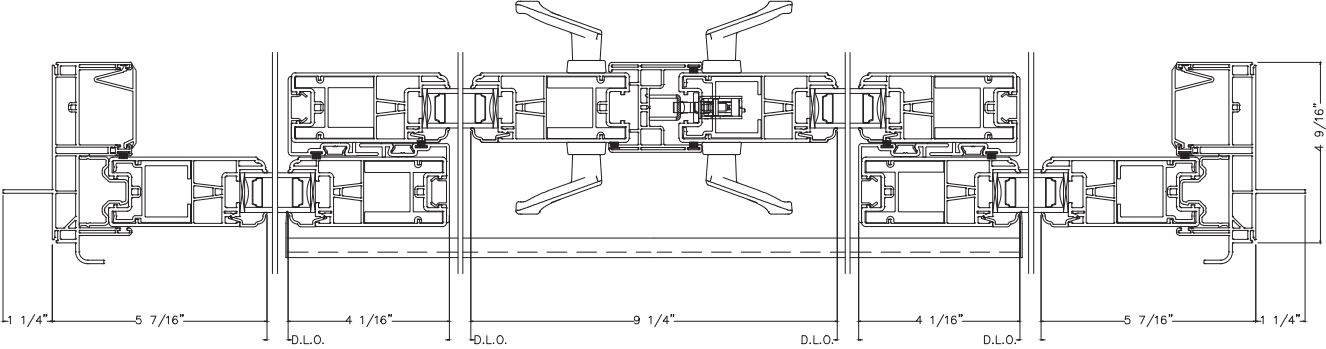
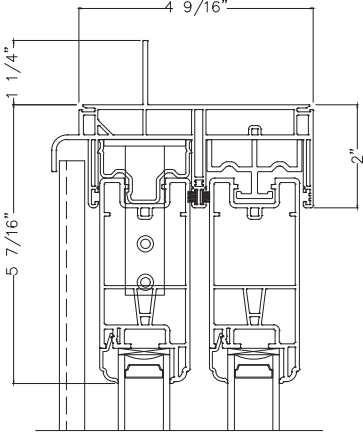
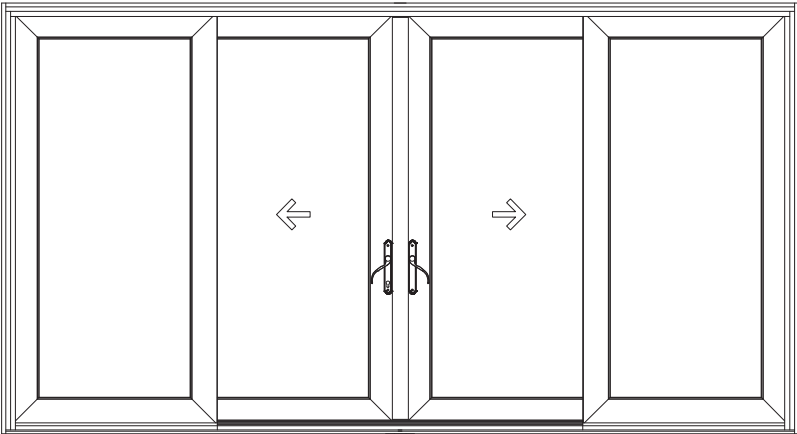


ES-V400

Sliding Glass Door



ES-V400 (OXXO Configuration)



ES-V76Plus

Tilt & Turn Window

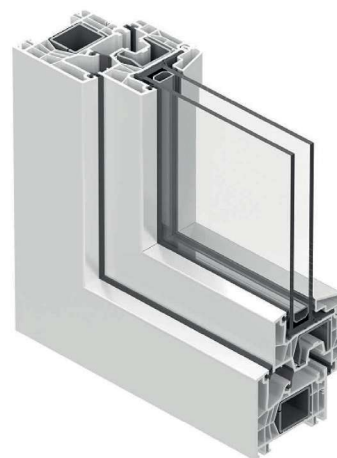


Features

- Glass options:
1 1/4" insulating-laminated glass
- FBC Test: FL 44618.1
- Mullion options available
- Anchor strap and nail fin available
- Steel reinforced
- Fixed configuration available
- Standard colors available
- Flex screen available

System Description

Minimum panel size	24" W x 24" H
Maximum panel size	47 1/2" W x 71 1/4" H
Frame depth	3"
Sightline	4 7/16"
U-Value	0.25*
SHGC	0.21*
STC	40 - 43



* Performance based on a Clear SB70 #2 argon glass configuration

Water infiltration



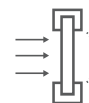
15 PSF.

Air infiltration



1.6 PSF.

Design load



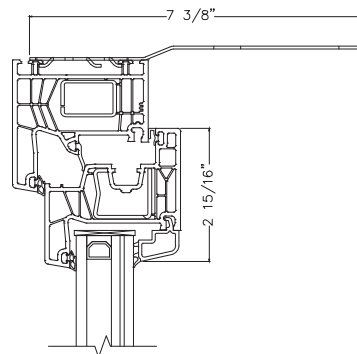
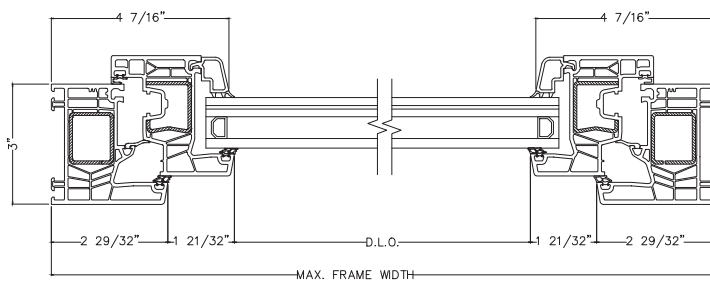
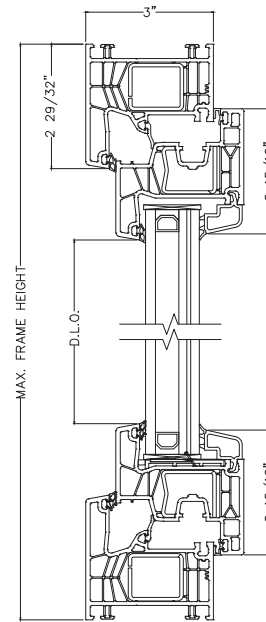
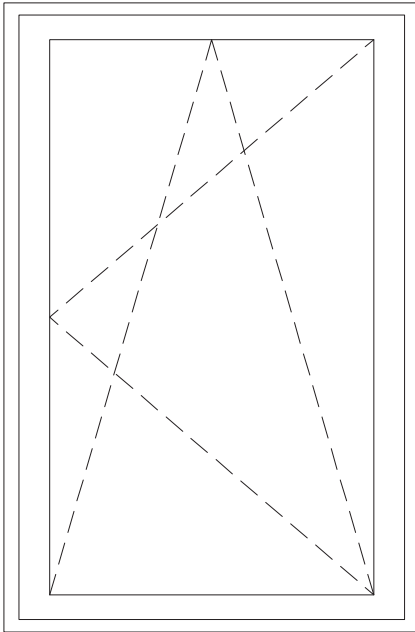
+65/-65 PSF.

ES-V76Plus



Tilt & Turn Window

Configurations ES-V76Plus Tilt & Turn



**Strap Anchor
Installation Option**

ES-V76Plus

Fixed Window



Features

- Glass options:
1 1/4" insulating-laminated glass
- FBC Test: FL 44618
- Mullion options available
- Anchor strap and nail fin available
- Steel reinforced
- Fixed configuration available
- Standard colors available

System Description

Minimum panel size	24" W x 24" H
Maximum panel size	47 1/2" W x 71 1/4" H
Frame depth	3"
Sightline	2 29/32"
U-Value	0.25*
SHGC	0.21*
STC	40 - 43

* Performance based on a Clear SB70 #2 argon glass configuration



Water infiltration



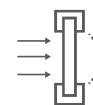
15 PSF.

Air infiltration



1.6 PSF.

Design load



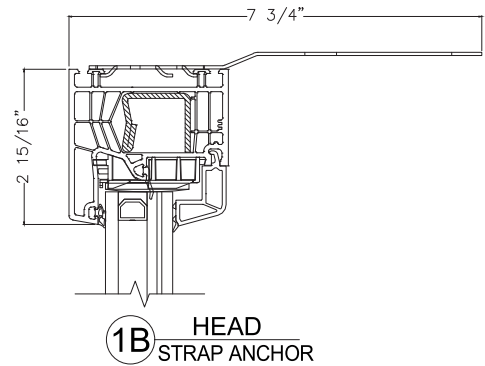
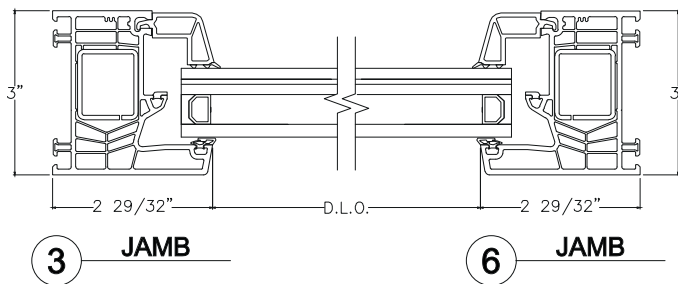
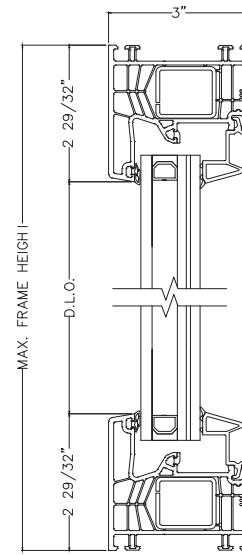
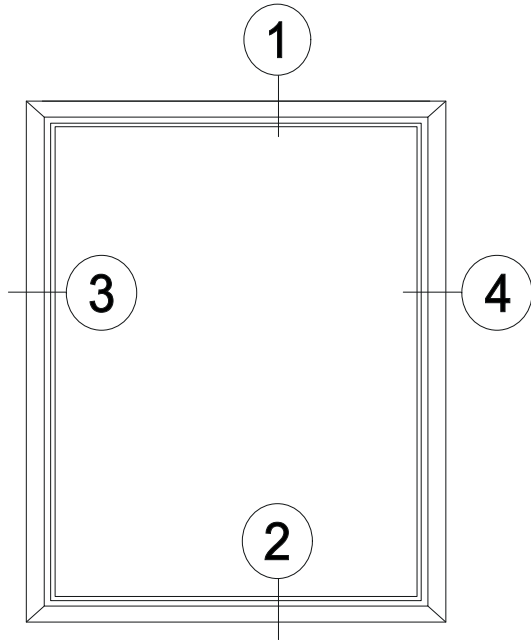
+75/-75 PSF.

ES-V76Plus



Fixed Window

Configurations ES-V76Plus Fixed



ES-V76Plus

Swing Door

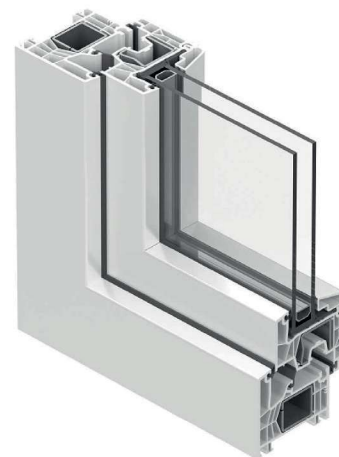


Features

- Glass options:
1 1/4" insulating-laminated glass
- FBC Test: FL 46030.1
- Mullion options available
- Anchor strap and nail fin available
- Steel reinforced
- Standard colors available
- Flex screen available

System Description

Minimum panel size	30" W x 60" H
Maximum panel size	46" W x 83" H
Frame depth	3"
Sightline	5 13/16"
U-Value	0.25*
SHGC	0.21*
STC	40*



Water infiltration



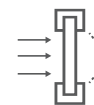
15 PSF.

Air infiltration



1.6 PSF.

Design load



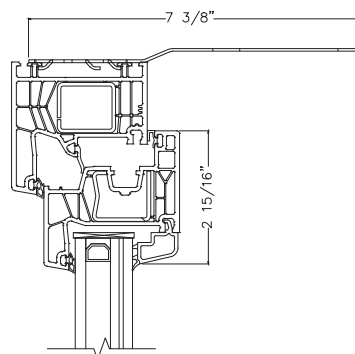
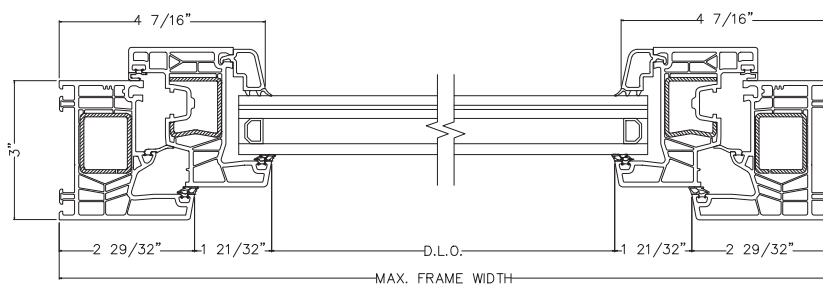
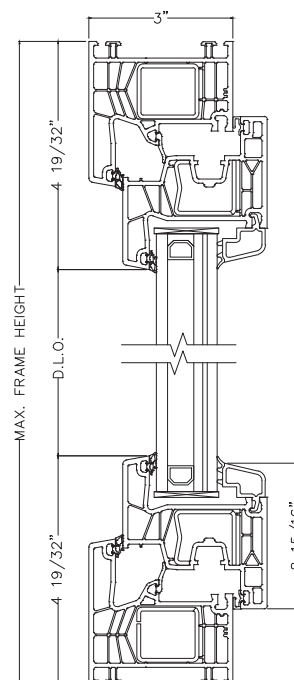
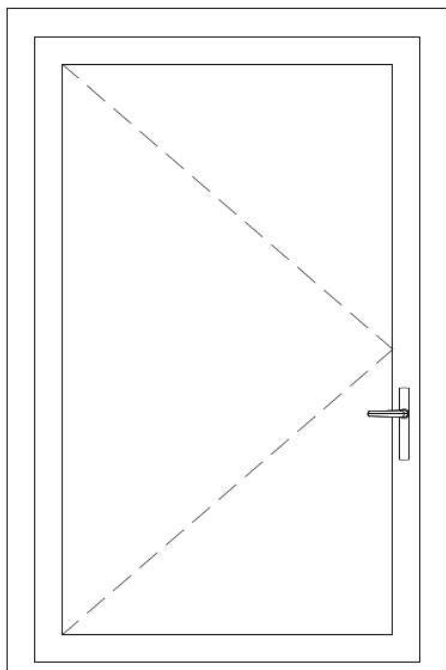
+65/-65 PSF.

ES-V76Plus

Swing Door



Configurations ES-V76Plus Swing Door



**Strap Anchor
Installation Option**

ES-V88

Lift & Slide Door



Features

- Glass options:
1 1/4" insulating-laminated glass
- FBC Test:
2 panels: FL 44619.1
3 panels: FL 44619.2
4 panels: FL 44619.2
- Mullion options available
- Anchor strap and nail fin available
- Steel reinforced
- Fixed configuration available
- Standard colors available

System Description

Maximum panel size	XO: 180" W x 96" H OX - XO: 255 1/8" W x 114" H OXO: 190 1/2" W x 114" H XOX: 225" W x 114" H
Frame depth	8 1/8"
Sightline	3 15/16"
U-Value	0.30
SHGC	0.18
STC	40-43



Water infiltration



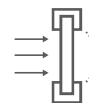
8.25 PSF.

Air infiltration



1.6 PSF.

Design load



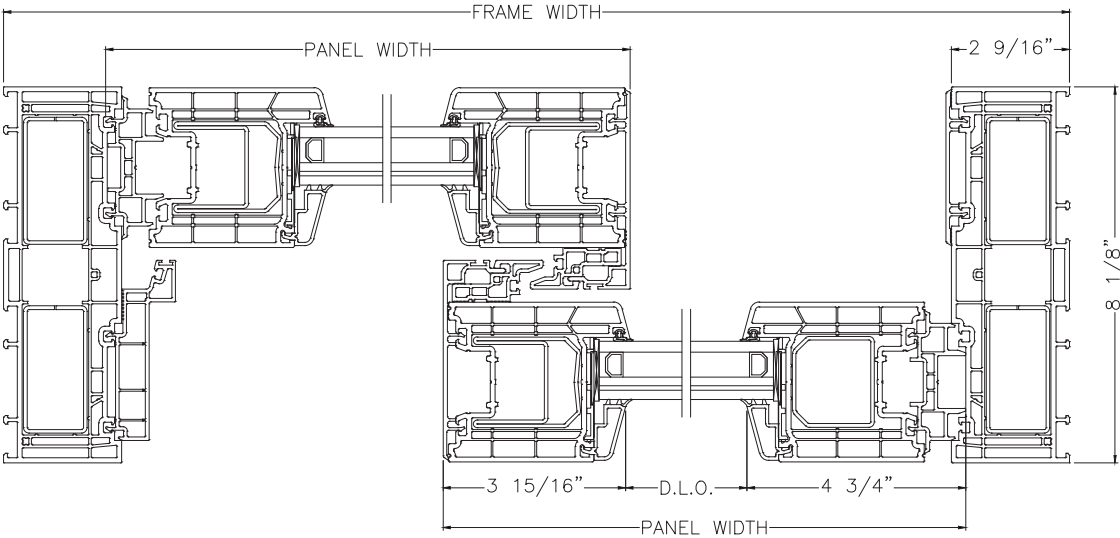
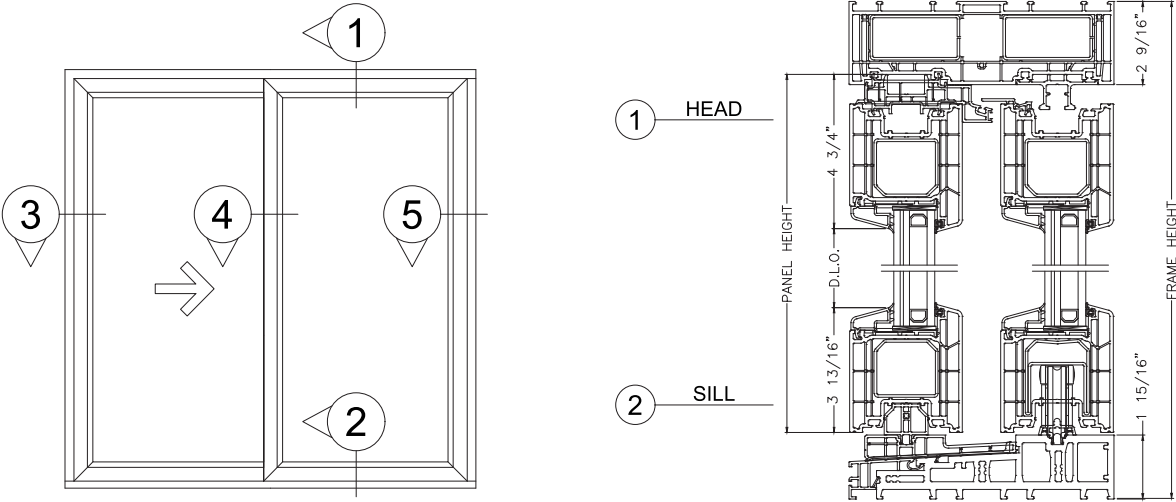
+55/-55 PSF.

ES-V88



Lift & Slide Door

ES-V88 (OX - XO Configuration)



3 JAMB

4 INTERLOCK

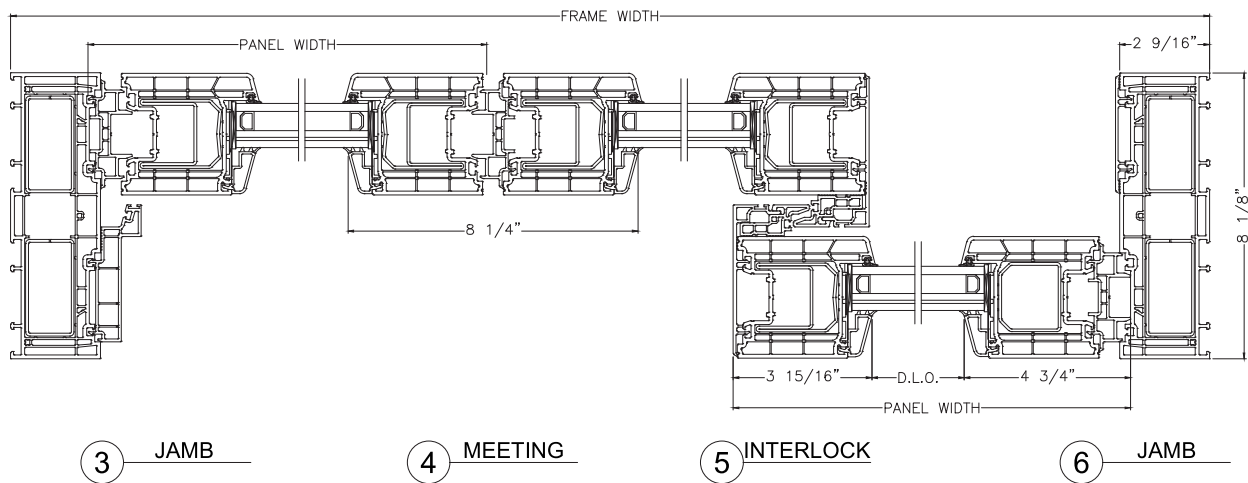
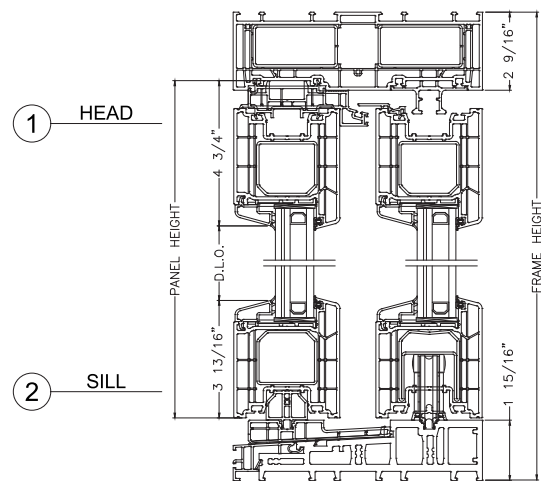
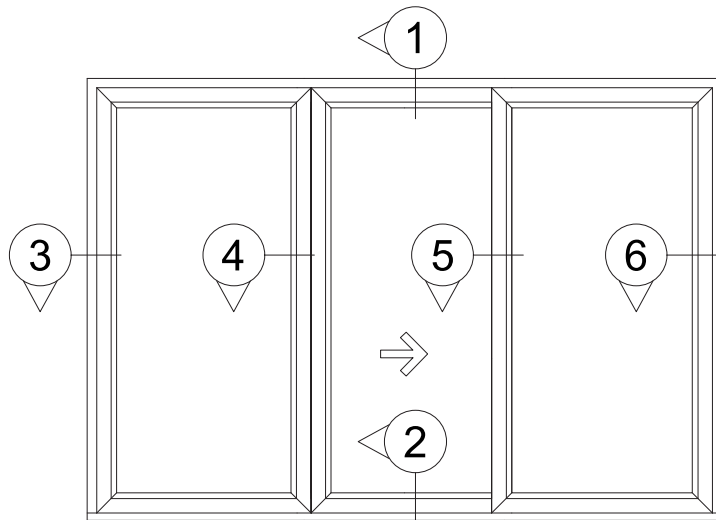
5 JAMB

ES-V88



Lift & Slide Door

ES-V88 (OXO Configuration)

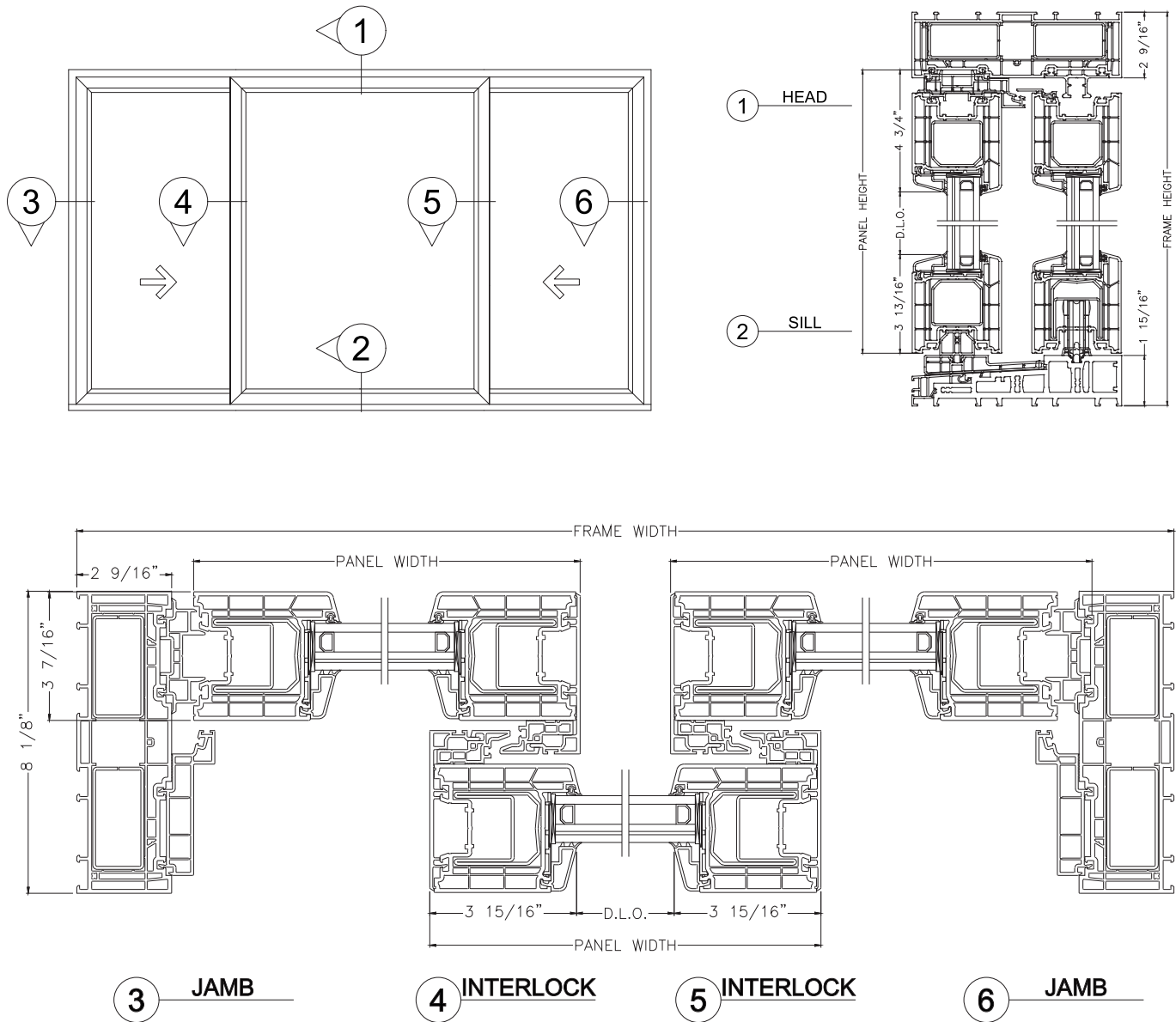


ES-V88



Lift & Slide Door

ES-V88 (XOX Configuration)

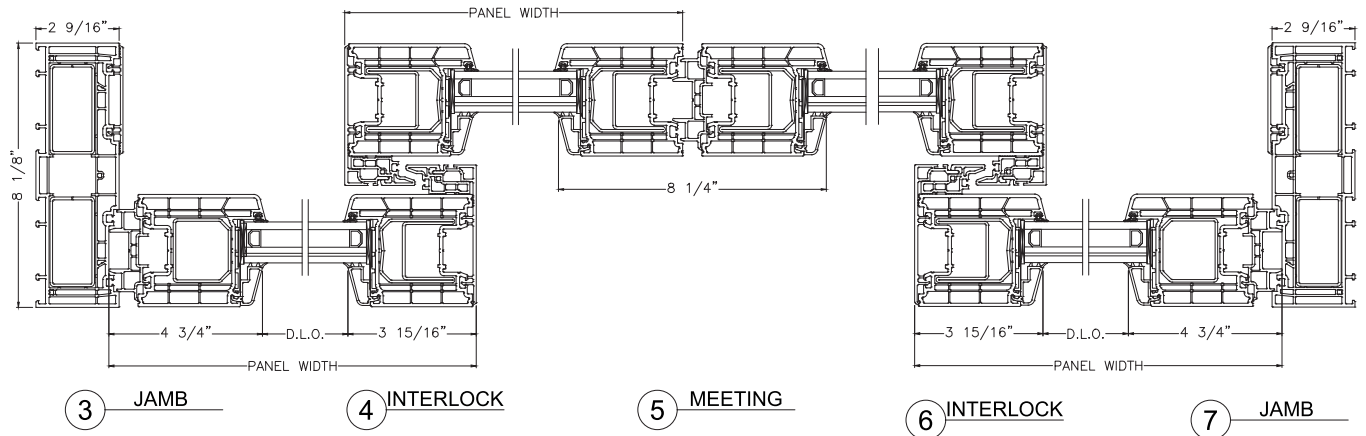
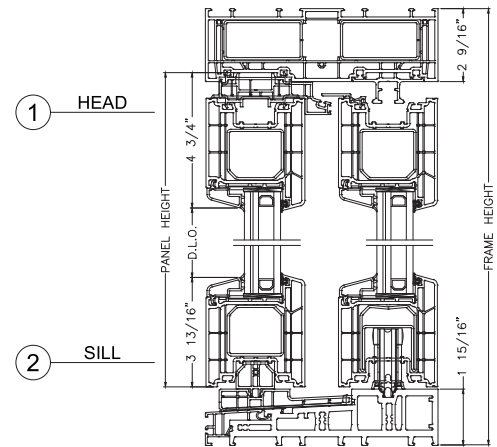
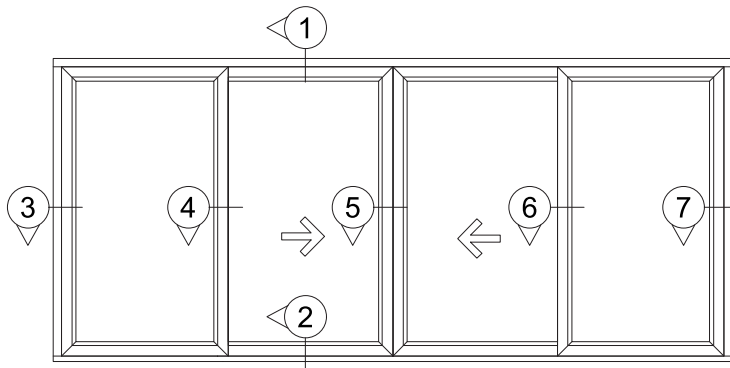


ES-V88



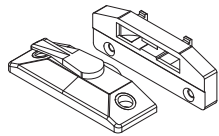
Lift & Slide Door

ES-V88 (OXXO Configuration)



Accessories

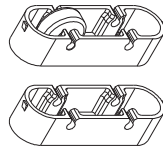
Hardware Options



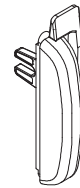
Sweep Lock
(ES-V100/200)



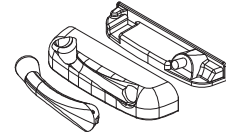
Roller Tilt
(ES-V100)



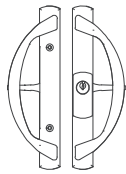
Slider Roller
(ES-V200)



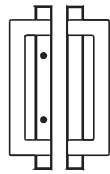
Crank Handle
(ES-V500/550)



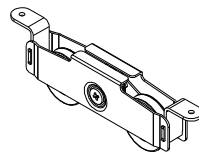
Roto Operator
(ES-V500/550)



Crescent Handle
(ES-V400)



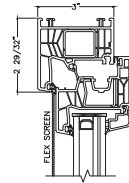
Patio Door Handle
Optional
(ES-V400)



Roller
(ES-V400)



Standard Handle
(ES-V76)

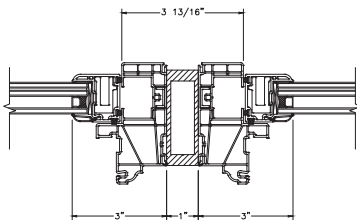


Flex Screen
(ES-V76)

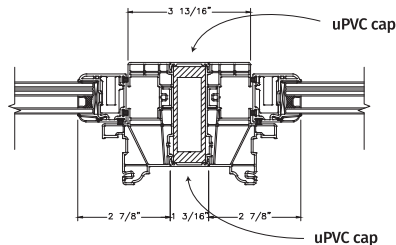
*Lock option available

Mullions

*Window mullions include uPVC lids



Standard
Window Mullion



Window Mullion
with uPVC Caps

Service

Our engineers and designers provide customers with ongoing assistance and technical support to ensure the best solution for every project.

We offer professional guidance to help customers pinpoint and balance their priorities. With this expert assistance, customers can plan and complete projects to achieve maximum benefits.

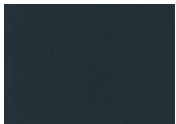
Colors & Finishes

Standard color



White

Custom Colors & Laminate Foils (Coming soon)



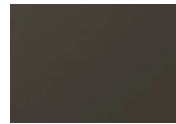
Anthracite Grey
Smooth 2



Black Smooth 2



Ceylon Smooth



Flemish Gold
Smooth



Golden Oak



Trompet Smooth

Hardware Colors



Bronze



Black



White

Engineering and Design

We offer the right solution for the most complex projects, and respond efficiently to the demands of architects. We can deliver reliable, efficient and affordable products, due to a combination of advanced software technology and a leading team of expert engineers and designers, who specialize in windows, doors, glass and aluminum systems.

The UPVC line provide customers the perfect combination of reliability, design and performance across a wide range of product types. It also provides the perfect performance solution, without sacrificing aesthetics.

Designed for Life





ES

The information contained herein is exclusive property of ES, who reserves the right to modify it, including but not limited to the designs and its specifications, without notice. 2025 ES. All rights reserved.
V-Jan 2025